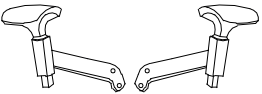

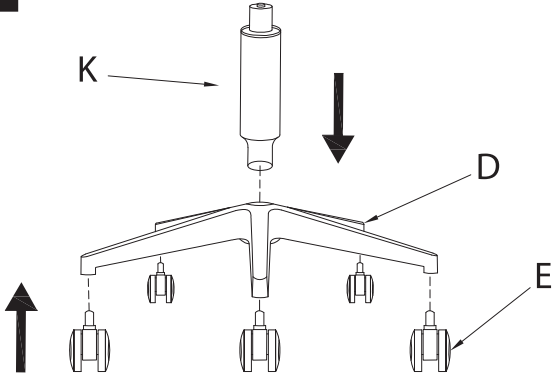
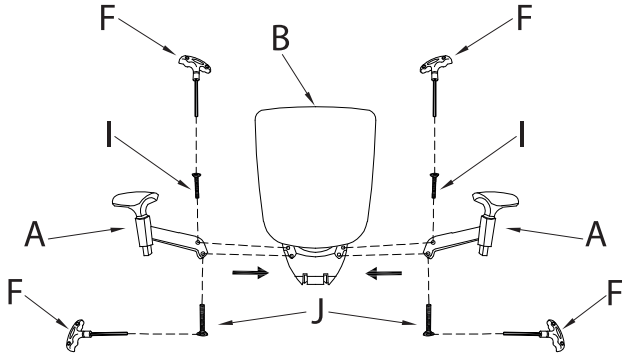
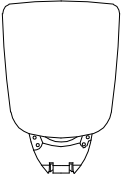
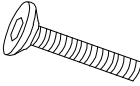
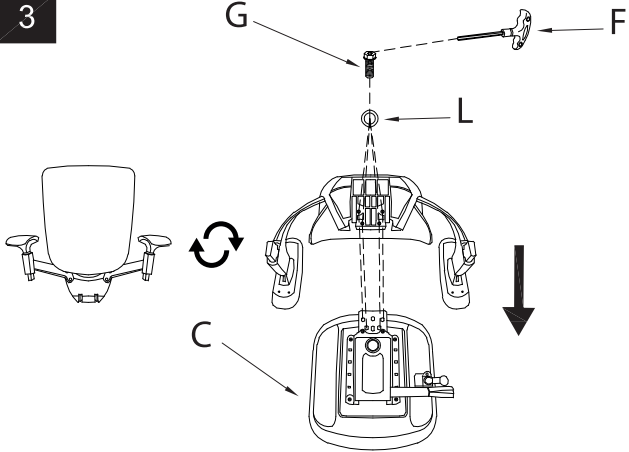
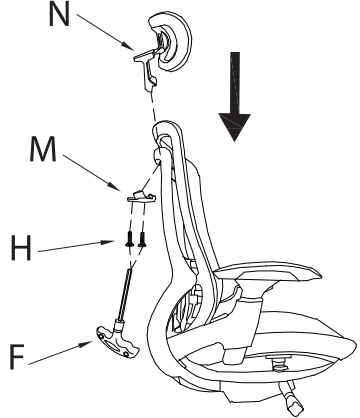
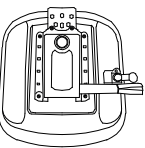
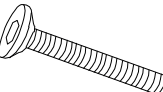
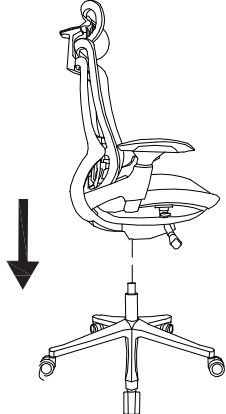
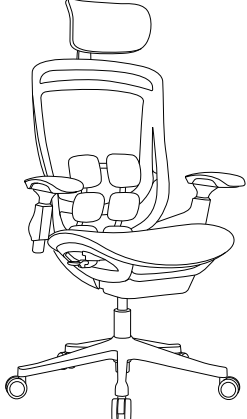
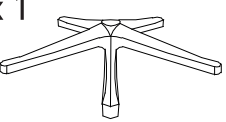
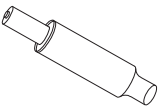

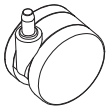

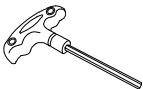
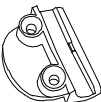
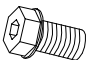


i-Care EXCELL

ASSEMBLY / MONTAGE / ASAMBLEA / MONTAGE / MONTAGE / CONJUNTO / ASSEMBLAGIO



WWW.SUBSONIC.COM

<p>A x 2</p> 	<p>H x 2</p>  <p>6*20</p>	<p>1</p> 	<p>2</p> 
<p>B x 1</p> 	<p>I x 2</p>  <p>6*30</p>	<p>3</p> 	<p>4</p> 
<p>C x 1</p> 	<p>J x 2</p>  <p>6*40</p>	<p>5</p> 	<p>6</p> 
<p>D x 1</p> 	<p>K x 1</p> 	<p>CONTACT & SUPPORT</p>  <p>SUBSONIC 314, allée des noisetiers 69760 Limonest - France contact@subsonic.com www.subsonic.com</p>	
<p>E x 5</p> 	<p>L x 4</p>  <p>8*17</p>		
<p>F x 1</p> 	<p>M x 1</p> 		
<p>G x 4</p>  <p>8*20</p>	<p>N x 1</p> 